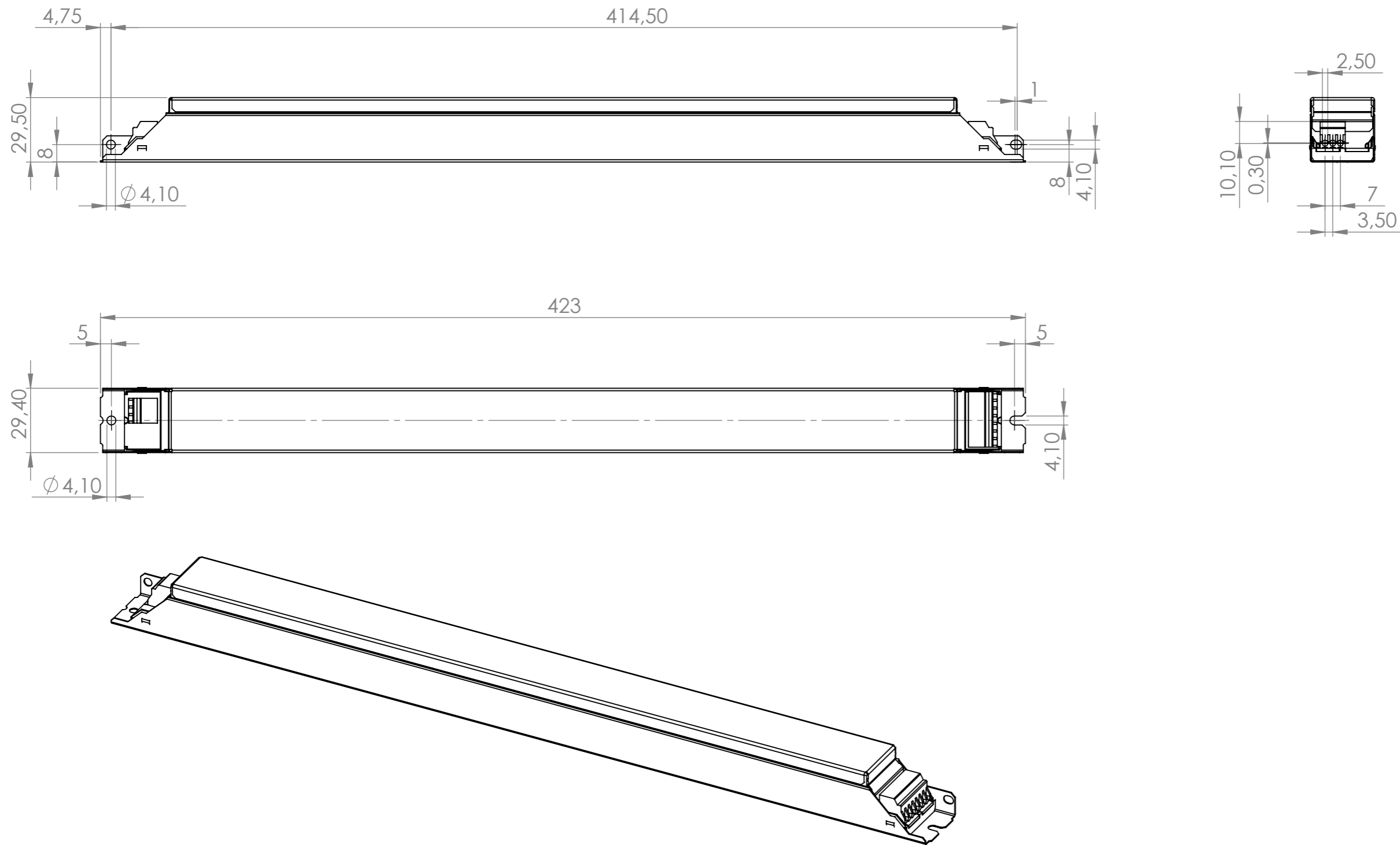


<http://www.homeelectric.de>



UNLESS OTHERWISE SPECIFIED: DIMENSIONS ARE IN MILLIMETERS		FINISH:		DEBUR AND BREAK SHARP EDGES		DO NOT SCALE DRAWING		REVISION	
SURFACE FINISH:									
TOLERANCES:									
LINEAR:									
ANGULAR:									
	NAME	SIGNATURE	DATE			TITLE:			
DRAWN									
CHK'D									
APPV'D									
MFG									
Q.A					MATERIAL:	DWG NO.		A3	
						QTP8_2lp_neu			
					WEIGHT:	SCALE:1:2		SHEET 1 OF 1	

## **Customer agreement for OSRAM CAD files**

- 1.) The CAD files are available in IGES and/or STEP and/or X\_T.
- 2.) No tolerances concerning fabrication or delivery can be derivated from the CAD files. The CAD files normally represent an “idealised geometry”, that can differ from the average value of the lamps actually produced. In particular the CAD files do not bring out the maximal possible geometry according to IEC 60357.
- 3.) OSRAM reserves the right to undertake product changes without further notice and without adjusting the customers CAD files.
- 4.) The CAD files might represent a product group similar in building class and design. Concrete types of this product group can diverge from the CAD files.
- 5.) OSRAM takes neither direct nor indirect responsibility for the use of our CAD files. OSRAM does not take any guarantee for the accuracy of the CAD files.
- 6.) It is the customers own responsibility to look for the up-to-dateness of the CAD files.
- 7.) Irrespective of our CAD files the national and international standards for the corresponding lamps apply.
- 8.) The customer does not have the right to pass the CAD files or derivated information in any form to a third party.
- 9.) With the usage of OSRAM CAD files this agreement is accepted.